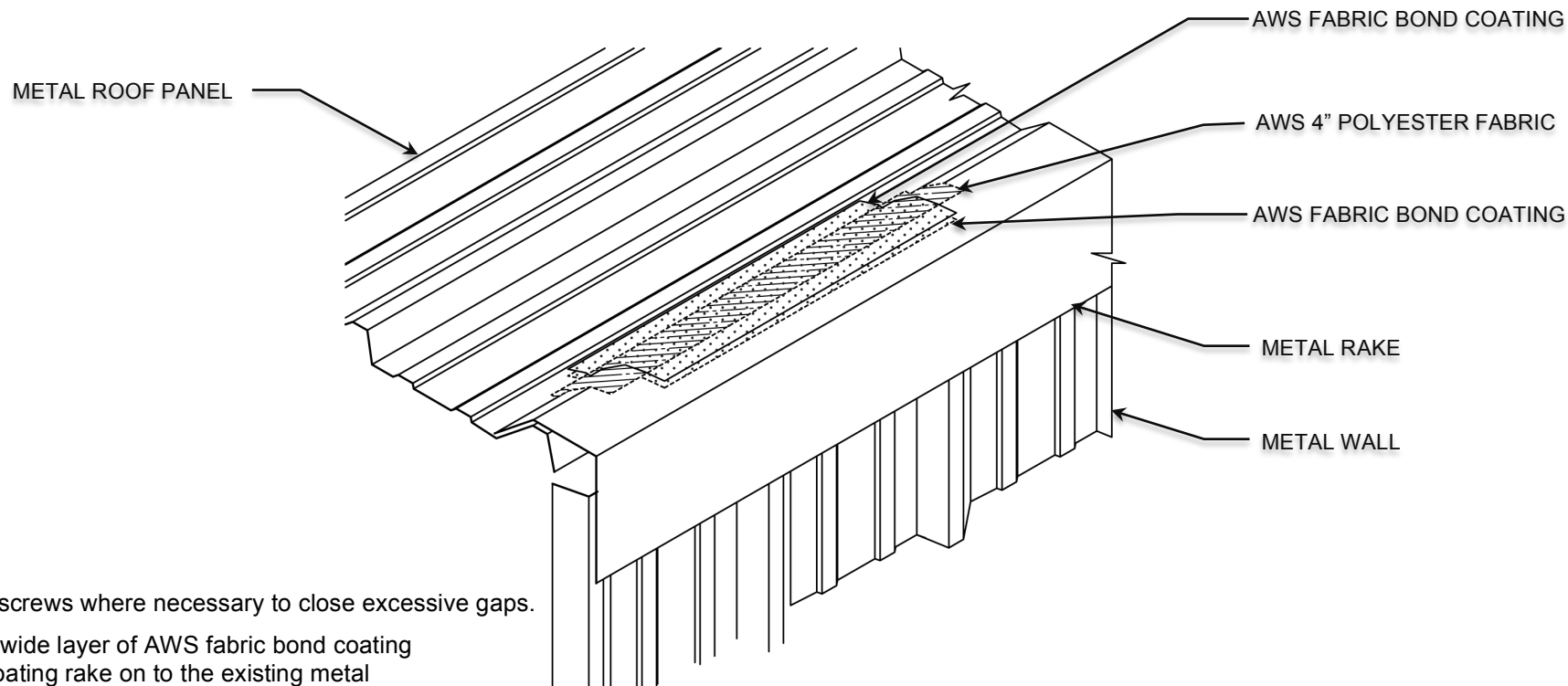


METAL ROOF: THREE COURSE FABRIC REINFORCED



1. Use stitch screws where necessary to close excessive gaps.
2. Apply a 6" wide layer of AWS fabric bond coating from the floating rake on to the existing metal roof panel.
3. Embed 4" AWS polyester fabric into wet fabric bond coating.

SPECIAL NOTE: Fabric should not be installed over fasteners. Cut out holes and seal fasteners according to "Exposed Fasteners" detail.

4. Apply a 6" wide layer of AWS fabric bond coating from the floating rake on to the existing metal roof panel the encapsulating polyester fabric.

NOTE: Contact American WeatherStar with any questions.



800.771.6643

AMERICANWEATHERSTAR.COM

FLOATING RAKE

See specific application guideline for suitable AWS fabric bond coating.

NOTE: This detail is provided to show a generally recommended procedure for dealing with the condition shown. It will not and cannot provide a specific solution for every condition likely to be encountered in field application. Where field conditions differ, the use of applicable portions of the detail shown or its adaptation by an experienced and conscientious applicator should result in a quality project.

LEGEND



FABRIC BOND COATING



POLYESTER FABRIC

REVISION DATE: 12/28/2015

SCALE: NTS