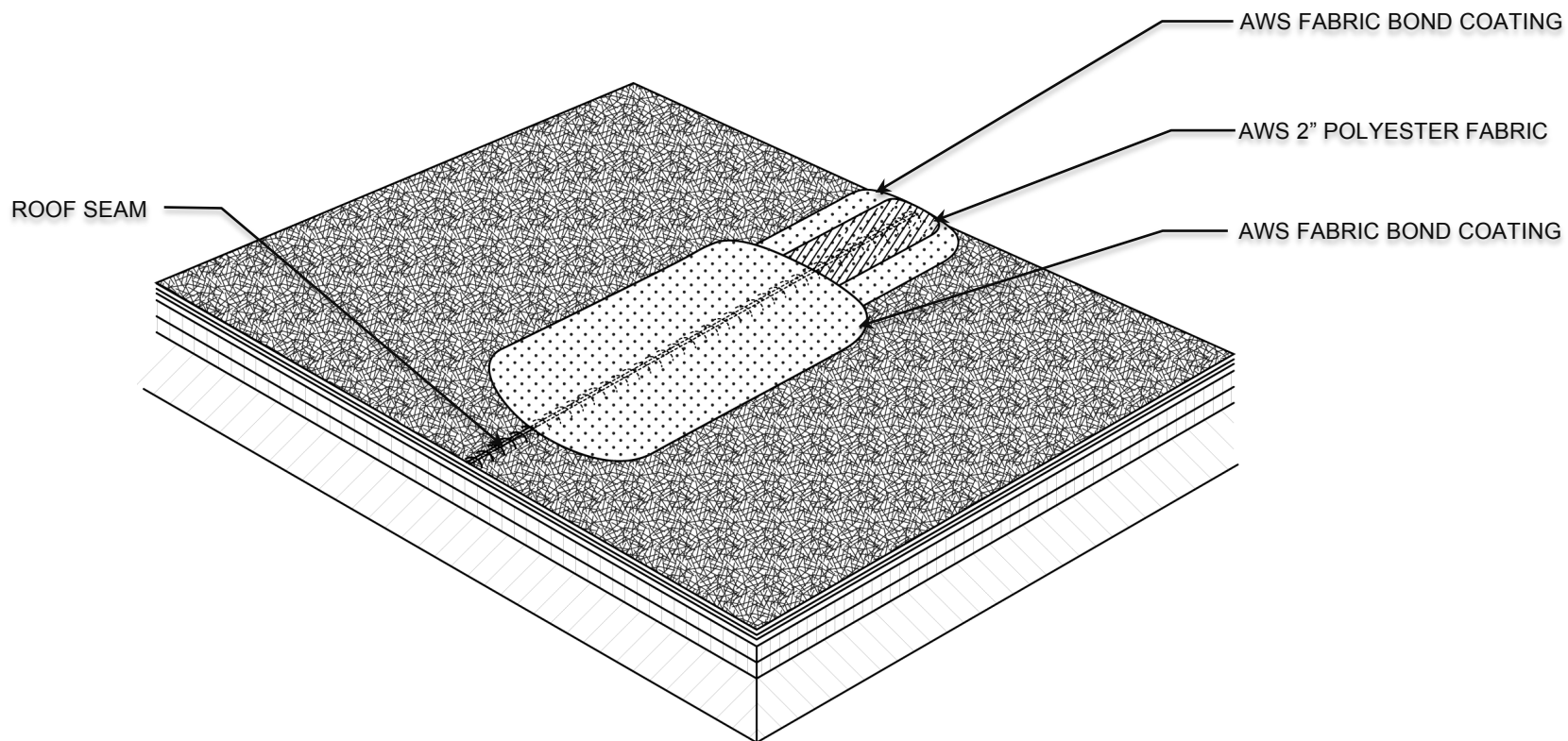


# FLAT ROOF: THREE COURSE FABRIC REINFORCED



1. Apply 4" wide layer of AWS fabric bond coating over the existing roof membrane seam (Heat welded seams need not be reinforced if probed and proven to be in factory specification condition)
2. Embed 2" AWS Polyester Fabric into wet coating
3. Apply a 4" wide layer of AWS fabric bond coating encapsulating 2" fabric.

NOTE: Contact American WeatherStar with any questions.

## SEAM DETAIL

See specific application guideline for suitable AWS fabric bond coating.

NOTE: This detail is provided to show a generally recommended procedure for dealing with the condition shown. It will not and cannot provide a specific solution for every condition likely to be encountered in field application. Where field conditions differ, the use of applicable portions of the detail shown or its adaptation by an experienced and conscientious applicator should result in a quality project.

### LEGEND



FABRIC BOND COATING



POLYESTER FABRIC

REVISION DATE: 10/30/2015

SCALE: NTS



800.771.6643

AMERICANWEATHERSTAR.COM