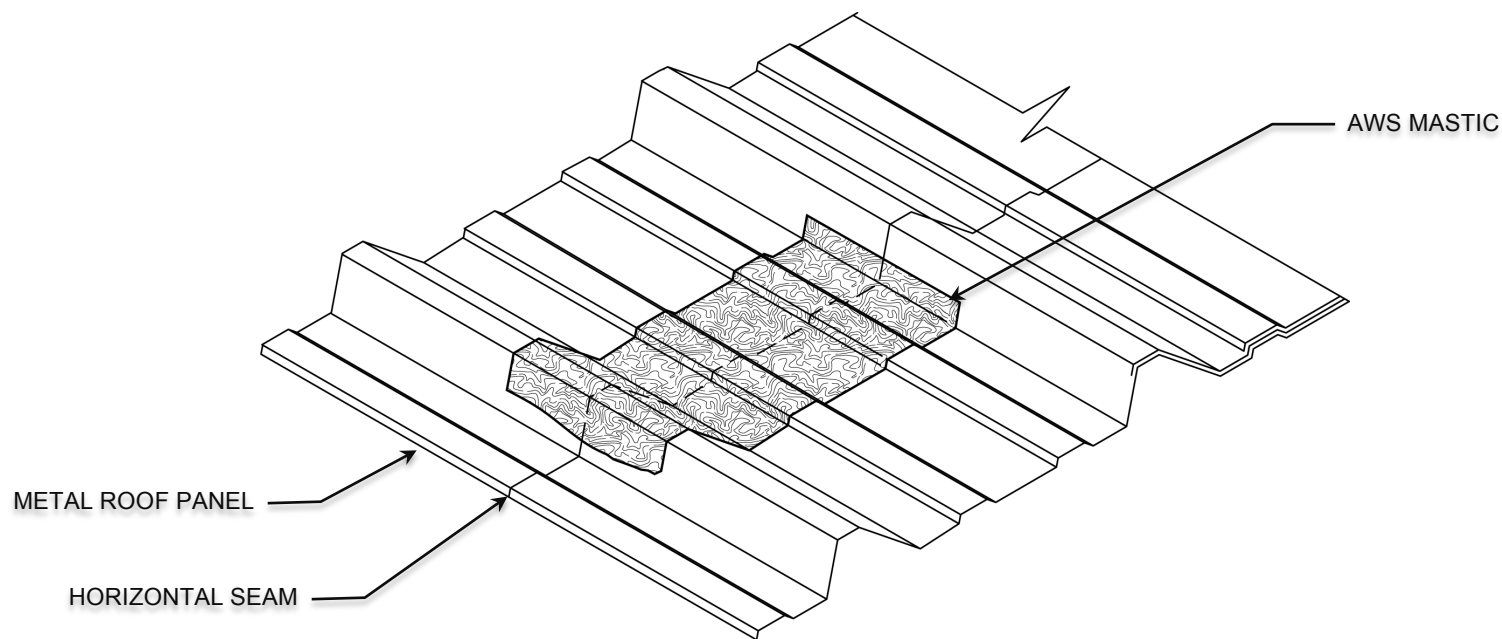


METAL ROOF: MASTIC



1. Use stitch screws to close excessive gaps.
2. Apply a 4" wide layer of AWS mastic centered on and parallel to all horizontal seams on existing metal roof panel.
3. Apply AWS mastic at a rate of approximately 90 wet mils, ensuring all voids are sealed.
4. Feather AWS mastic on to existing metal roof to prevent possible water damming.

NOTE: Contact American WeatherStar with any questions.



800.771.6643

AMERICANWEATHERSTAR.COM

HORIZONTAL SEAM – RIBBED PANELS

See specific application guideline for suitable AWS mastic.

NOTE: This detail is provided to show a generally recommended procedure for dealing with the condition shown. It will not and cannot provide a specific solution for every condition likely to be encountered in field application. Where field conditions differ, the use of applicable portions of the detail shown or its adaptation by an experienced and conscientious applicator should result in a quality project.

LEGEND



MASTIC

REVISION DATE: 12/28/2015

SCALE: NTS