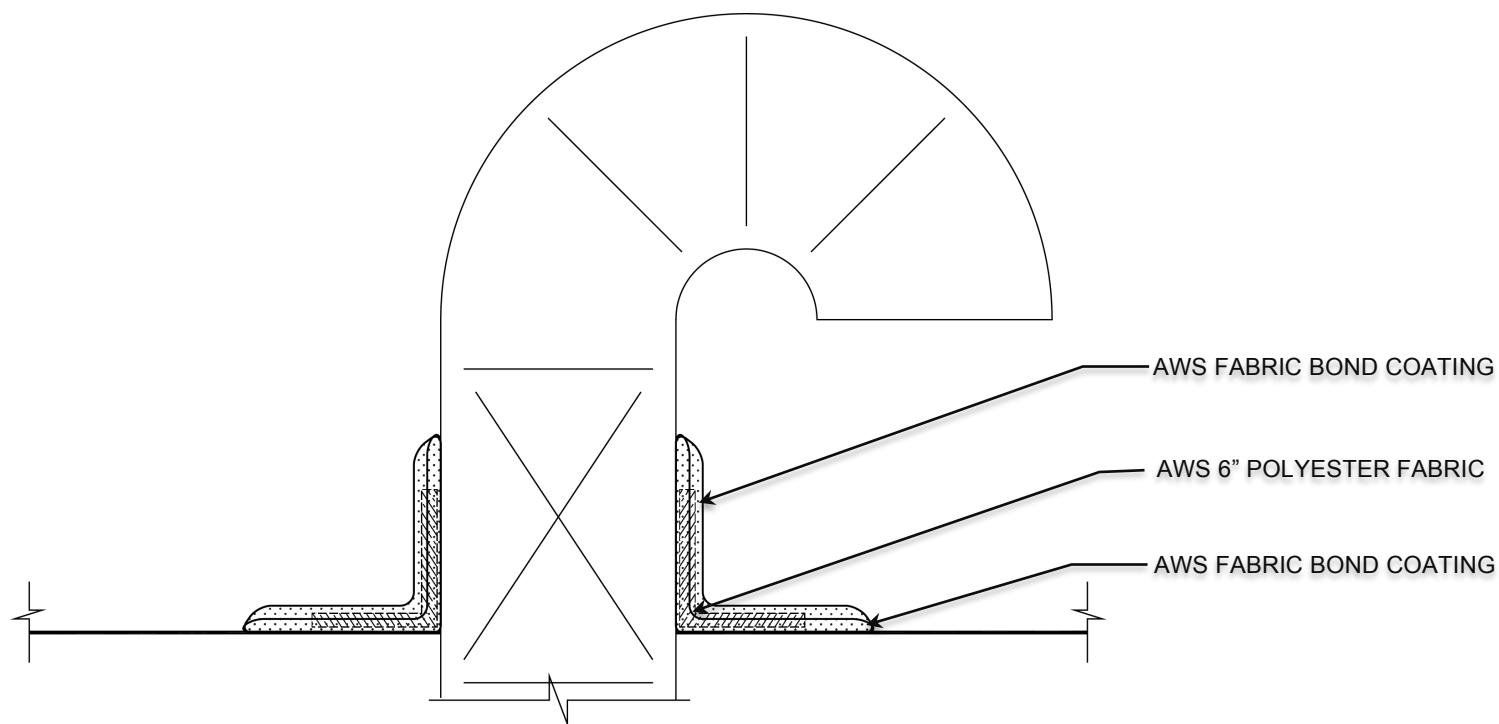


METAL ROOF: THREE COURSE FABRIC REINFORCED



1. Apply an 8" wide layer of AWS fabric bond coating centered on the horizontal and vertical sides of the duct flashing and on to the existing metal roof panel.
2. Embed 6" AWS polyester fabric into wet fabric bond coating.
3. Apply an 8" wide layer of AWS fabric bond coating centered on the horizontal and vertical sides of the duct flashing and on to the existing metal roof panel encapsulating the polyester fabric. (Pay special attention to fabric details at the ribs so as to not catch water.)

NOTE: Contact American WeatherStar with any questions.



800.771.6643

AMERICANWEATHERSTAR.COM

DUCT FLASHING

See specific application guideline for suitable AWS fabric bond coating.

NOTE: This detail is provided to show a generally recommended procedure for dealing with the condition shown. It will not and cannot provide a specific solution for every condition likely to be encountered in field application. Where field conditions differ, the use of applicable portions of the detail shown or its adaptation by an experienced and conscientious applicator should result in a quality project.

LEGEND



FABRIC BOND COATING



POLYESTER FABRIC

REVISION DATE: 12/28/2015

SCALE: NTS