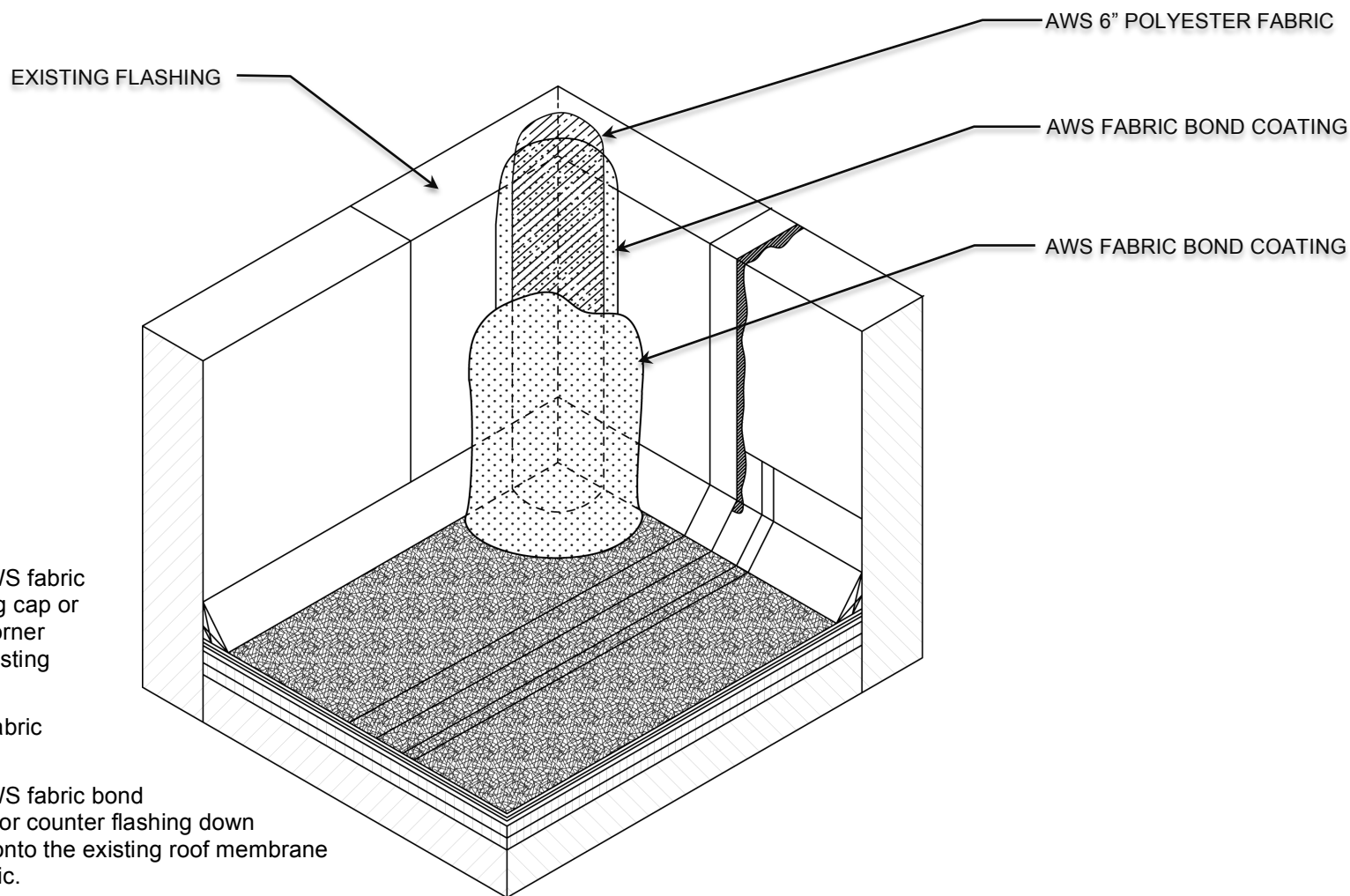


# FLAT ROOF: THREE COURSE FABRIC REINFORCED



1. Apply an 8" wide layer of AWS fabric bond coating from the coping cap or counter flashing down the corner extending 6" out onto the existing roof membrane.
2. Embed 6" AWS Polyester Fabric into wet fabric bond coating.
3. Apply an 8" wide layer of AWS fabric bond coating from the coping cap or counter flashing down the corner extending 6" out onto the existing roof membrane encapsulating polyester fabric.

NOTE: Contact American WeatherStar with any questions.



800.771.6643

AMERICANWEATHERSTAR.COM

## INSIDE CORNER RESTORATION DETAIL

See specific application guideline for suitable AWS fabric bond coating.

NOTE: This detail is provided to show a generally recommended procedure for dealing with the condition shown. It will not and cannot provide a specific solution for every condition likely to be encountered in field application. Where field conditions differ, the use of applicable portions of the detail shown or its adaptation by an experienced and conscientious applicator should result in a quality project.

### LEGEND



FABRIC BOND COATING



POLYESTER FABRIC

REVISION DATE: 10/30/2015

SCALE: NTS