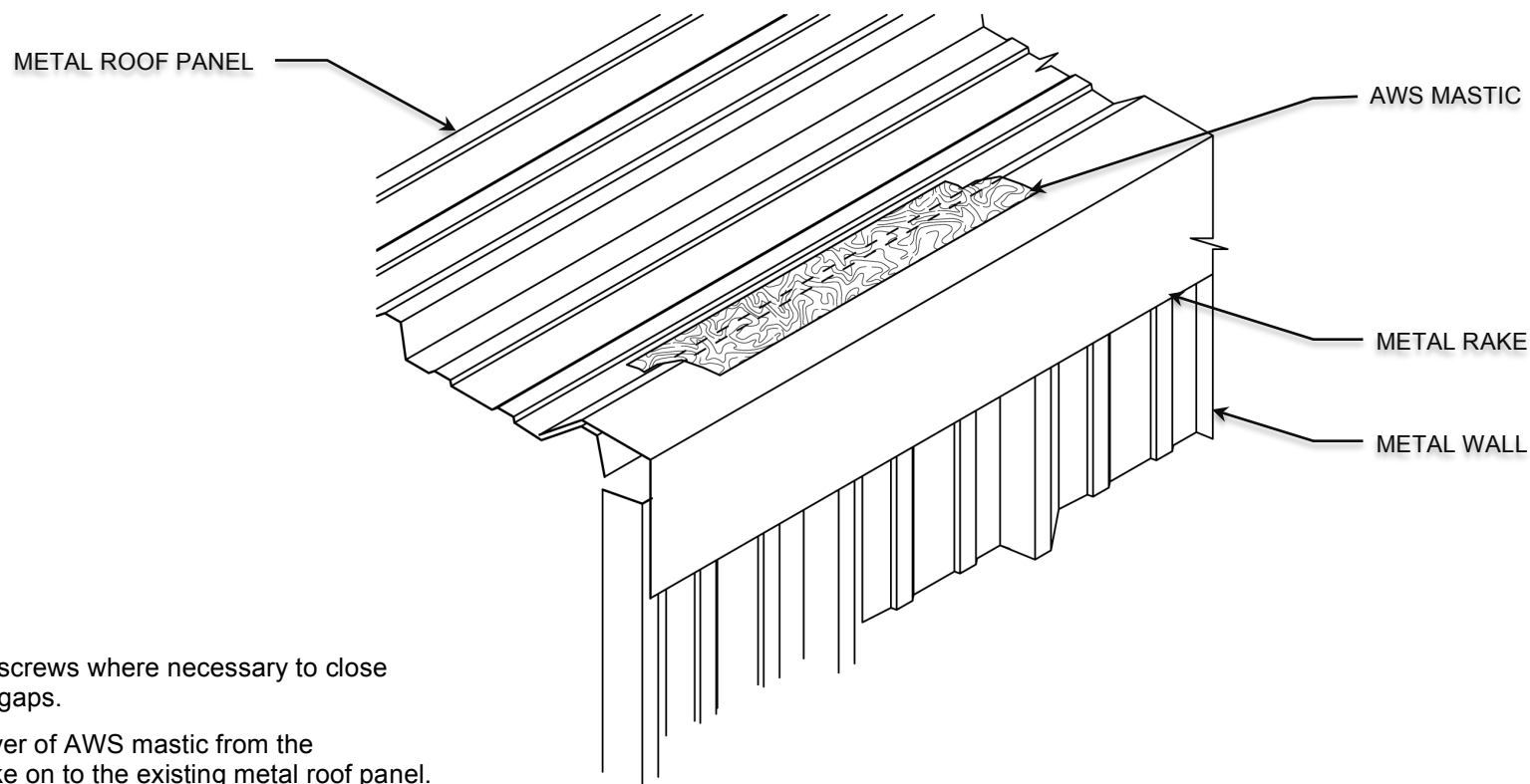


METAL ROOF: MASTIC



1. Use stitch screws where necessary to close excessive gaps.
2. Apply a layer of AWS mastic from the floating rake on to the existing metal roof panel.
3. Apply at a rate that removes the void between roof panel and floating rake extending from outside edge of rake to 3" out onto the existing metal roof panel. (Multiple applications may be necessary.)
4. Feather AWS mastic on to existing metal roof to prevent possible water damming.

NOTE: Contact American WeatherStar with any questions.



800.771.6643

AMERICANWEATHERSTAR.COM

FLOATING RAKE

See specific application guideline for suitable AWS mastic.

NOTE: This detail is provided to show a generally recommended procedure for dealing with the condition shown. It will not and cannot provide a specific solution for every condition likely to be encountered in field application. Where field conditions differ, the use of applicable portions of the detail shown or its adaptation by an experienced and conscientious applicator should result in a quality project.

LEGEND



MASTIC

REVISION DATE: 12/28/2015

SCALE: NTS