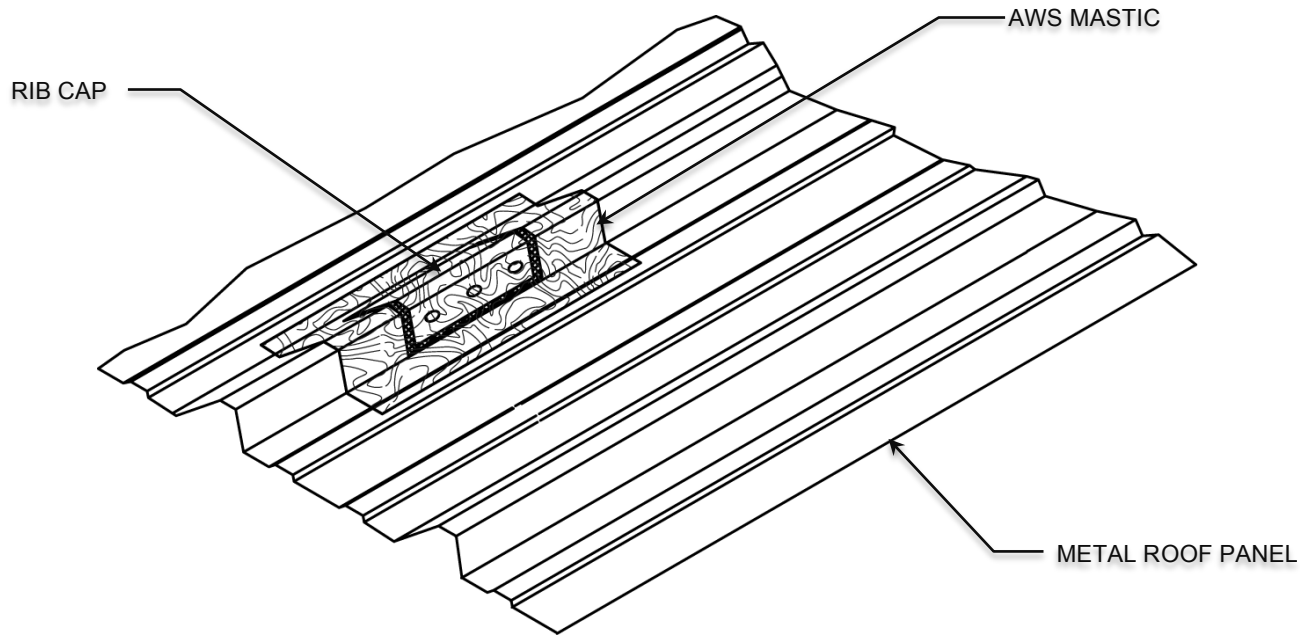


METAL ROOF: MASTIC



1. Apply AWS mastic at a rate of approximately 60 wet mils, completely encapsulating the rib cap.
2. Extend AWS mastic on to metal roof two inches beyond rib cap.
3. Feather AWS mastic as to not cause water damming.

NOTE: Contact American WeatherStar with any questions.



800.771.6643

AMERICANWEATHERSTAR.COM

RIB CAP

See specific application guideline for suitable AWS mastic.

NOTE: This detail is provided to show a generally recommended procedure for dealing with the condition shown. It will not and cannot provide a specific solution for every condition likely to be encountered in field application. Where field conditions differ, the use of applicable portions of the detail shown or its adaptation by an experienced and conscientious applicator should result in a quality project.

LEGEND



MASTIC

REVISION DATE: 12/28/2015

SCALE: NTS