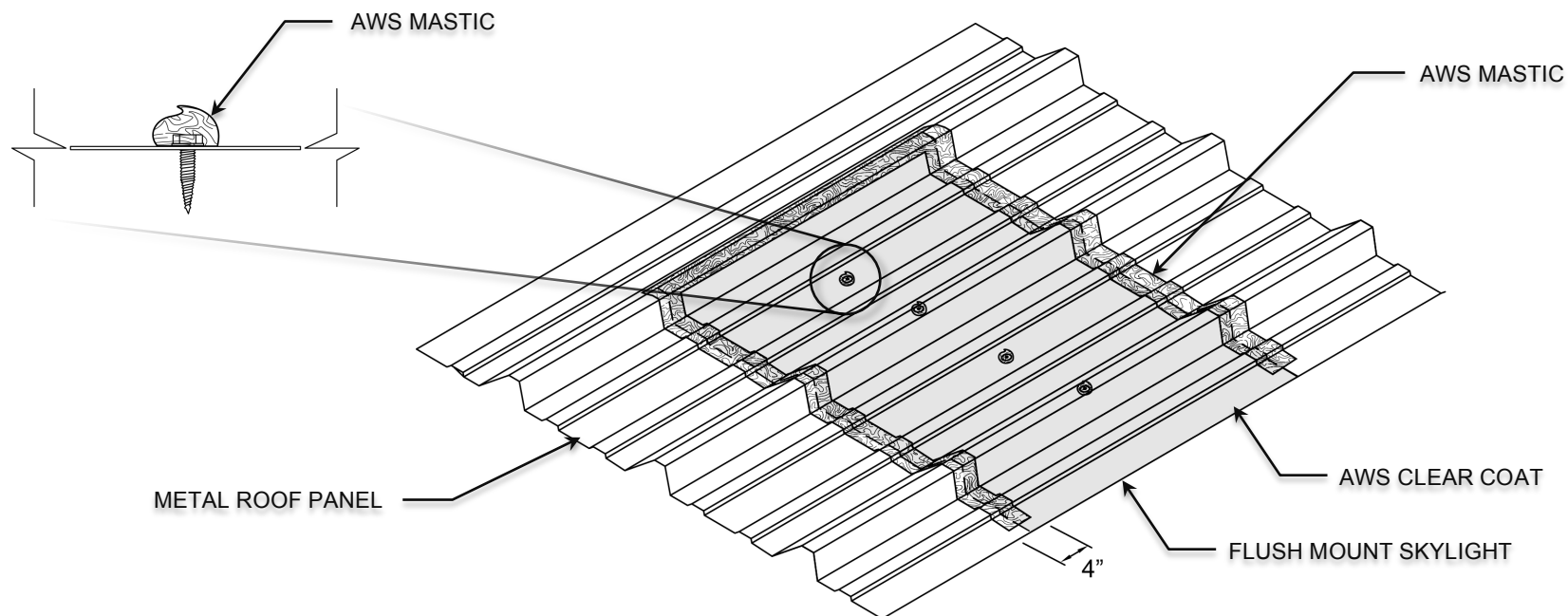


METAL ROOF: MASTIC



1. Use stitch screws to close any excessive gaps.
 2. Apply AWS clear coat at approximately 16 wet mils to surface of skylight.
- SPECIAL NOTE: Never coat over skylight with any coating other than those that are clear or opaque.
3. Apply a 4" wide layer of AWS mastic centered on and parallel to both the horizontal and vertical surface of the flush - skylight seams on existing metal roof panel.
 4. Apply AWS mastic at a rate of approximately 60 wet mils, ensuring all voids are filled.
 5. Feather AWS mastic on to existing metal roof to prevent possible water damming.
 6. Use AWS mastic to encapsulate any exposed screws used to secure the skylight to the roof.



800.771.6643

AMERICANWEATHERSTAR.COM

SKYLIGHT – FLUSH MOUNT

See specific application guideline for suitable AWS mastic.

NOTE: This detail is provided to show a generally recommended procedure for dealing with the condition shown. It will not and cannot provide a specific solution for every condition likely to be encountered in field application. Where field conditions differ, the use of applicable portions of the detail shown or its adaptation by an experienced and conscientious applicator should result in a quality project.

LEGEND



MASTIC

REVISION DATE: 12/28/2015

SCALE: NTS